

### Specifications

**Material:**

Contacts: Phosphor Bronze, Gold Flash Plated  
Shell: Brass, Nickel or Tin Plated  
Insulator: P.B.T. UL 94-V0 Rated

**Electrical:**

Contact Current Rating: 1A  
Contact Resistance: 30m Ohms Max.  
Insulation Resistance: 500M Ohms Min. at 500V DC  
Dielectric Withstanding Voltage: AC 500V/min. R.M.S.

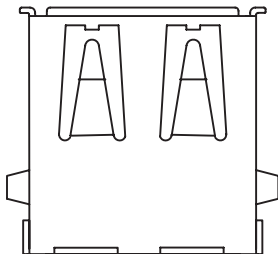
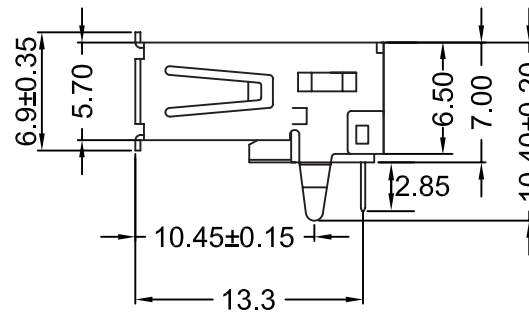
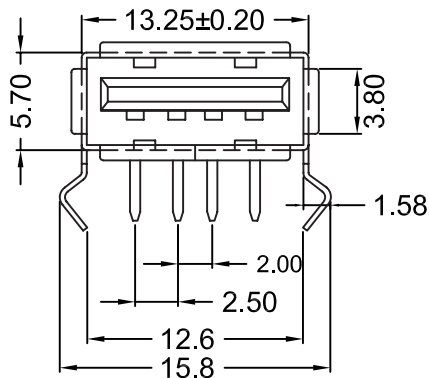
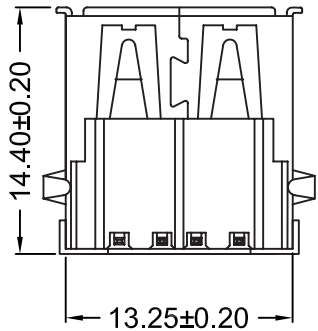
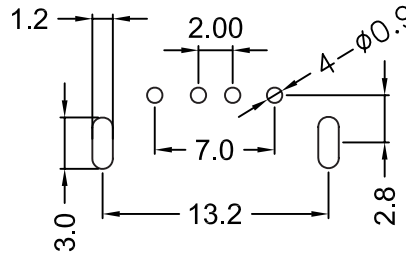
**Mechanical:**

Mating Force: 3.7 KG Max.  
Unmating Force: 1.2 KG Min.

**Environmental:**

Temperature Range: -40°C to +105°C

### Recommended P.C. Board Hole Layout



### Part Numbering System

**UR-04A - F X X**

**Series**

**Contact Option:**

F = Female

**Contact Plating:**

**Insulator Color:**

W = White

B = Black

* Contact Plating Option	Full Gold Plating	Gold Plated On Contact Area Tin Plated on Solder Area	Full Tin Plating
	G : Gold Flash G10: Gold 10u" G15: Gold 15u" G30: Gold 30u"	S: Gold Flash S10: Gold 10u" S15: Gold 15u" S30: Gold 30u"	T: Tin 100u"

General Tolerance	
X. ± 0.50	X.° ± 5°
.X ± 0.20	.X' ± 2°
.XX ± 0.10	.XX" ± 1°
Units : mm	